



California Doubles

6,380 lb trailer weight with 56,980 lb payload

Vessel

- **Overall Length** - 18'-11" (227").
- **Capacity** - 550 cubic foot.
- **Overall Height** - 12'-1" (145").
- **Overall Width** - 8'-0" (96").
- **Operating Pressure** - 15 psi.
- **Vessel Finish** - Aluminum Shell
- **Max. Loading Temp.** - 150 degrees Fahrenheit.
- **Wheelbase** - 184" centerline of king pin to centerline of rear axle.
- **Coupler Height** - 48" ground to coupler surface.

Piping / Fittings

- **Lead Hot Air Supply** - 3" sch. 10 alum. pipe with male adapter on a 90° elbow facing up on street side, check valve behind inlet. Tee aeration at hopper area with 3" b'fly valve and check valve. Aeration manifold extended to rear for pup operation with 3" b'fly valve. Line terminates with 3" male adapter on 45° elbow facing down at center.
- **Pull Hot Air Supply** - 3" sch. 10 alum. pipe located under drawbar at center. Both ends to include a male adapter on a 45° elbow facing down. Hot air continues with 3" hose through turntable to 3" sch. 10 aluminum pipe with male adapter on a 90° elbow down. Terminate aeration at hopper area with 3" b'fly valve and spring type check valve on street side.
- **Aeration** - Fabric pad aeration with ball valve control.
- **Top Air Supply** - 2" top air line with (1) 2" b'fly valve.

- **Blow Down Line** - 2" hose at front street side with (1) 2" b'fly valve and (1) 2" relief valve set at 15 PSI.
- **Manhole Type** - (1) 20" cam-latch style opening towards front onto rubber contact pads. Locate lid 18" rearward of centerline. (27'-0" between domes on semi and pull.
- **Discharge** - 5" alum. discharge Y-branch angles 45° to street side rear with 5" female coupler and plug.
- **Gravity Dump Discharge** - 10" blind flange on sloped bottom.
- **3" Aluminum Silencer** - Located at front of air inlet line.

Accessories

- **Document Holder** - Located street side at rear of front fender.
- **Pressure Gauges** - Liquid filled 0-30 psi tank/line pressure. Mounted on rear wing plate with light.
- **Jump Hose** - (1) 3" hose with female cam-lock fittings.
- **Lead Hitch** - Premier slack reducing coupling style.
- **Lead Fenders** - Rear ribbed aluminum, single radius frame mounted, MAC LTT mud flaps
- **Pull Fenders** - Front ribbed aluminum single axle single radius dolly mounted. Rear ribbed aluminum, single radius mounted to the rear frame, MAC LTT mud flaps.
- **Lead Landing Gear** - MAC LTT alum. drop tubes mounted on formed alum. pedestal frame. (Optional-Jost AX100)
- **King Pin Plate** - Welded aluminum
- **Lead ladder** - Bolt-on aluminum at rear, non-slip steps.
- **Pull ladder** - Bolt-on aluminum at front, non-slip steps.
- **Top Walkway** - Non-skid tape and full length toe rails.



Experience Excellence

California Doubles

Chassis

- **Suspension** - Hendrickson air ride
- **Pull Turntable** - Double row ball bearing design. Fixed length draw bar with mesh cover. Hinge height to match lead unit. Double bushed hinge assemblies, swivel eye with bushings and 1000 lb. capacity jack on drivers side.
- **Axles** - Hendrickson Intraax AANT23K, 71.5" track, "P-Series" spindles, galvanized hangers and soft coat finish.
- **Hubs** - Walther EMC Dura-Light.
- **Drums/Rotors** - Fabricated steel.
- **Brakes** - 16.5"x7" HXS.
- **Brake Chambers** - Type 30-30 spring brake chambers.
- **Slack Adjusters** - 5.5" automatic slack adjusters.
- **Seals** - Oil seals and hubcaps.
- **ABS System** - Wabco 2S/1M ABS, warning light at front of rear fender.
- **Suspension Frame** - Extruded aluminum design.

Tires and Wheels

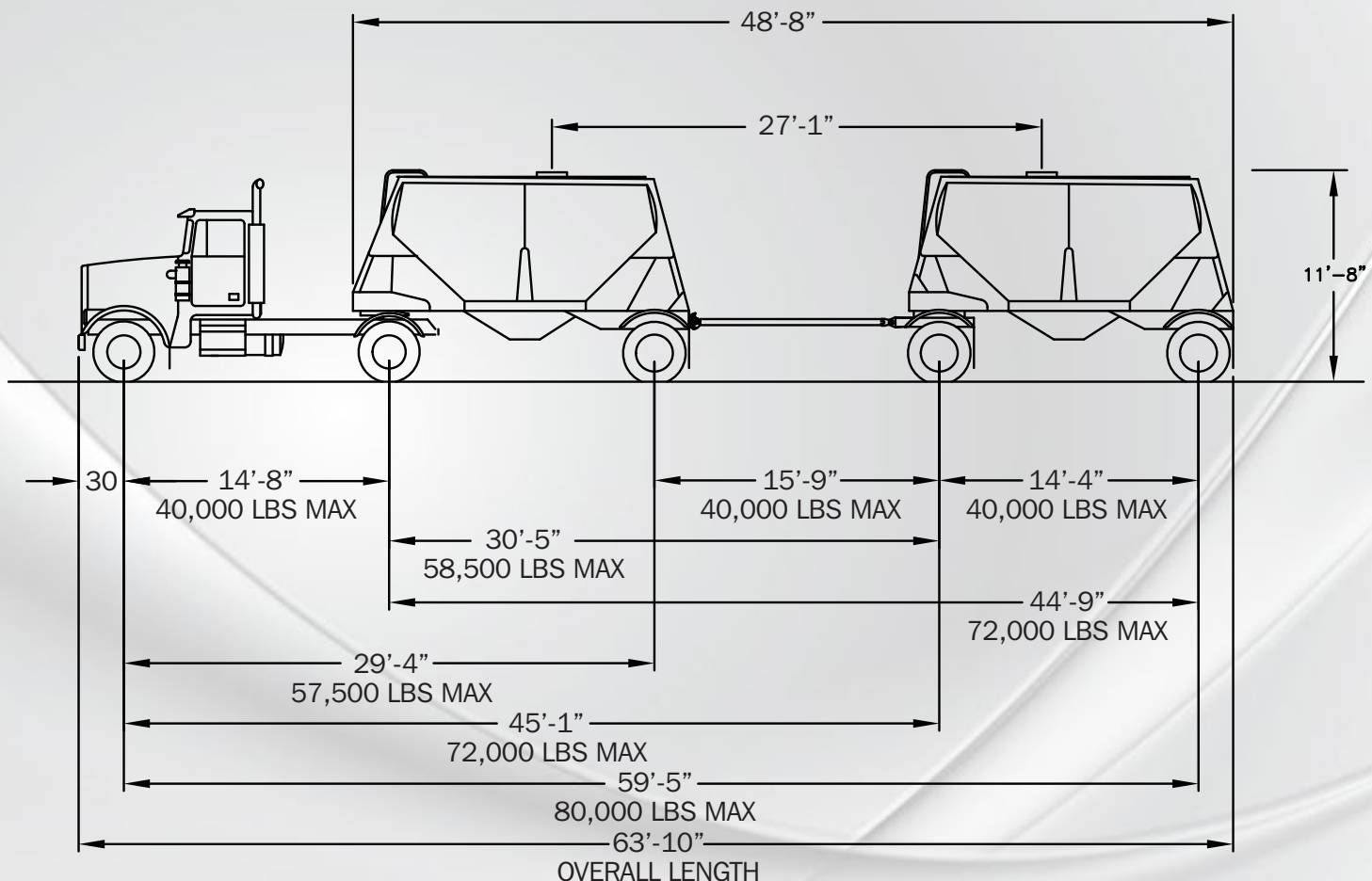
- **Wheels** - Alcoa 8.25"x22.5" alum., hub-piloted, LVL One
- **Tires** - BF Goodrich TR144 11R22.5 (LR G).

Wiring

- **Trailer Connections** - Glad hands and electrical located at front center. Glad hands and electrical located on curbside rear for pull operation
- **Light System** - Truck-Lite LED System LED tail lights in aluminum light housing three per side, LED marker lights one per side at front and rear, LED 3 light I.D. cluster on rear end dam plate (dual function), one License plate light and one pressure gauge light.

Paint

- **Steel Parts** - Black SEM coating or powder coated.
- **Conspicuity** - DOT conspicuity reflective located off shell.
- **Decals** - Standard safety and warning decals.
- **Warranty** - Three year limited warranty.



MAC – Salem, OH Facility
855-884-2252

MAC LTT – Kent, OH/Billings, MT Facilities
855-662-2588

www.MACtrailer.com