

Unitized Continuous Frame



Features

All Aluminum Construction

Unique Gooseneck Frame Transition

Fully Plated Shear Sections

Advantages

Exclusive MAC Trailer Designed aluminum extrusions

- Resist corrosion
- Lab and field tested to ensure strength and durability
- Proven design with over 25 years of continuous service

Exclusive MAC Trailer designed "Flex Joint" gooseneck

- Lab tested and field proven to allow frame connection to twist without breaking

Exclusive MAC Trailer shear section plating

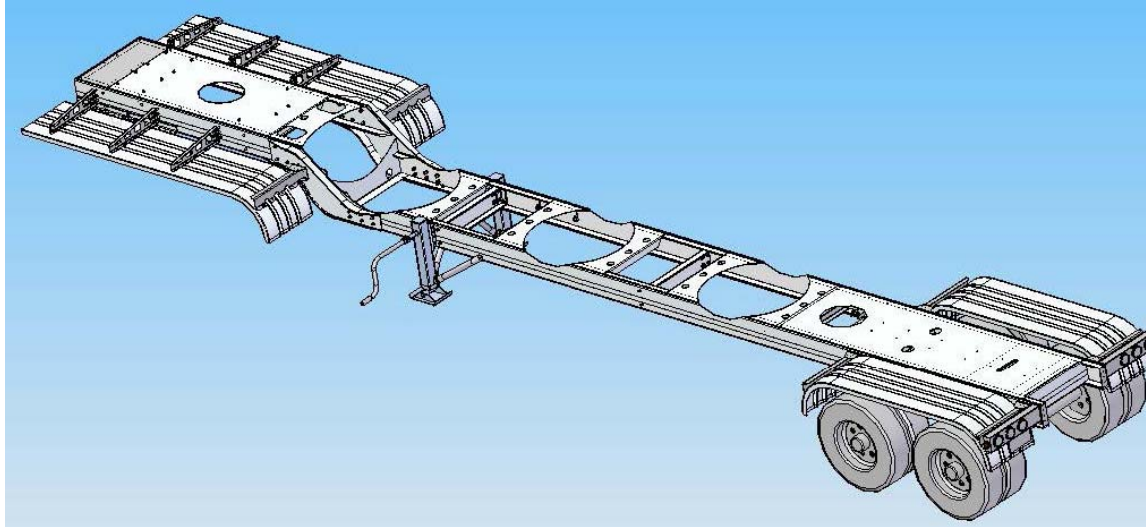
- Substantial reinforcement holds frame members true and increases overall beam strength without adding a lot of weight

Customer Benefits

- Reduces lifecycle costs
- Maintains a quality appearance longer
- Cleans up easily
- Retains resale value

- Reduces lifecycle costs
- Retains resale value

- Prevents dirt and road debris from gathering above frame
- Improves payload
- Reduces lifecycle costs



Experience Excellence